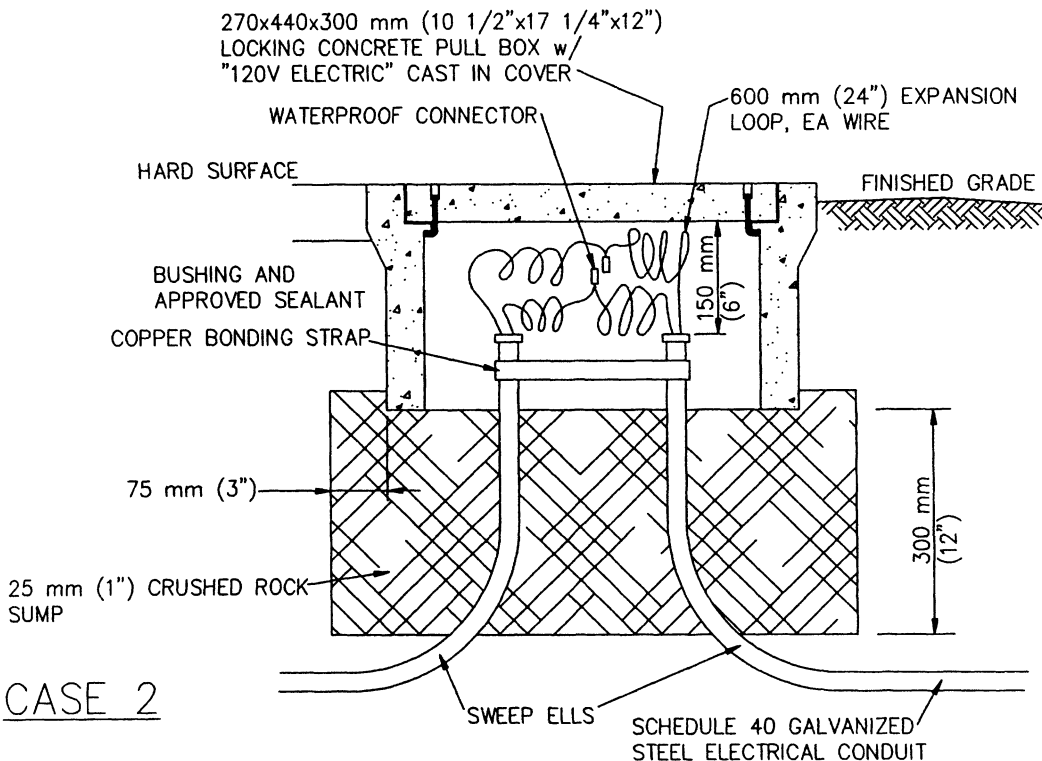


CASE 1




CASE 2

NOTES:

1. AREA AROUND BOX MAY BE PLANTED, HARD SURFACE, OR A COMBINATION OF BOTH.
2. TOP OF BOX:
 AT GRADE FOR HARD SURFACE
 12 mm (1/2") ABOVE GRADE FOR LAWN
 25 mm (1") ABOVE GRADE FOR GROUND COVER OR SHRUBS
3. CRUSHED ROCK SHALL COVER ELECTRICAL BOX SIDE OPENINGS TO PREVENT SOIL ENTRY.
4. WATERPROOF CONNECTORS SHALL BE SUBJECT TO ENGINEER'S APPROVAL.
5. PVC CONDUIT MAY BE USED FOR CASE 2 IF APPROPRIATE GROUND WIRES ARE INSTALLED.

HIGH VOLTAGE INSTALLATION

SYMBOL ON PLAN
 PB

STANDARD PLANS FOR PUBLIC WORKS CONSTRUCTION

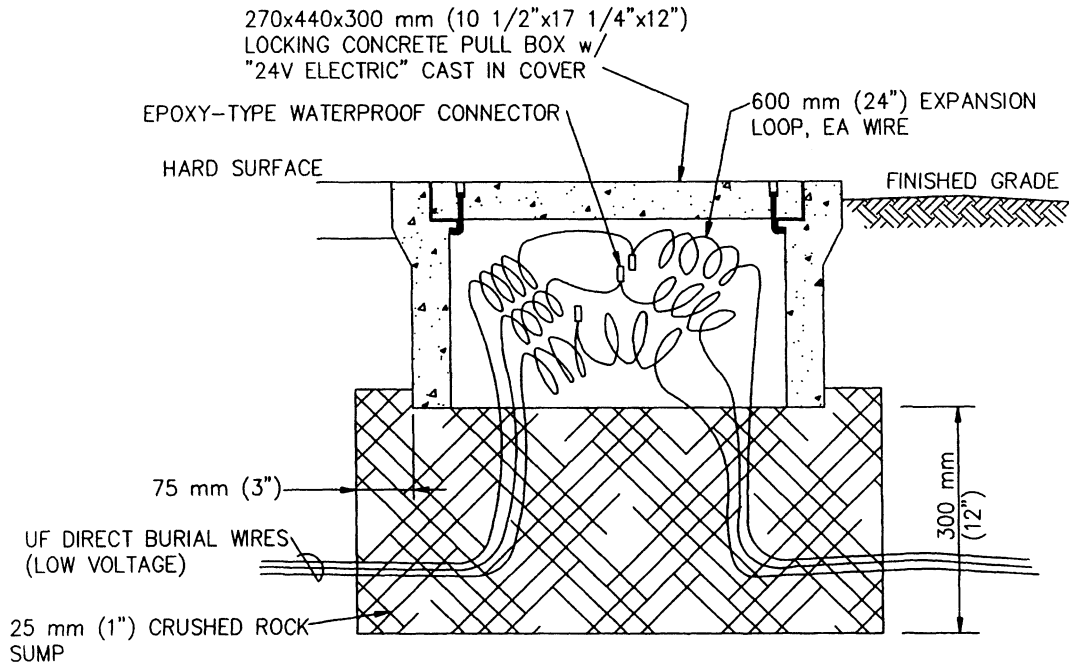
PROMULGATED BY THE
 PUBLIC WORKS STANDARDS INC.
 GREENBOOK COMMITTEE
 1984
 REV. 1996, 2005

ELECTRICAL PULL BOX

STANDARD PLAN
 METRIC
513-2

USE WITH STANDARD SPECIFICATIONS FOR PUBLIC WORKS CONSTRUCTION

SHEET 1 OF 2



NOTES:

1. AREA AROUND BOX MAY BE PLANTED, HARD SURFACE, OR A COMBINATION OF BOTH.
2. TOP OF BOX:
 AT GRADE FOR HARD SURFACE
 12 mm (1/2") ABOVE GRADE FOR LAWN
 25 mm (1") ABOVE GRADE FOR GROUND COVER OR SHRUBS
3. CRUSHED ROCK SHALL COVER ELECTRICAL BOX SIDE OPENINGS TO PREVENT SOIL ENTRY.
4. LOW VOLTAGE WIRES UNDER ROADWAY SHALL BE WITHIN CONTINUOUS CONDUIT WITH 90' SWEEP ELLS TERMINATING WITHIN PULL BOXES. SEE PLANS FOR SIZE AND TYPE OF BOXES.

LOW VOLTAGE INSTALLATION

SYMBOL ON PLAN



STANDARD PLANS FOR PUBLIC WORKS CONSTRUCTION

STANDARD PLAN
 METRIC

ELECTRICAL PULL BOX

513-2

SHEET 2 OF 2